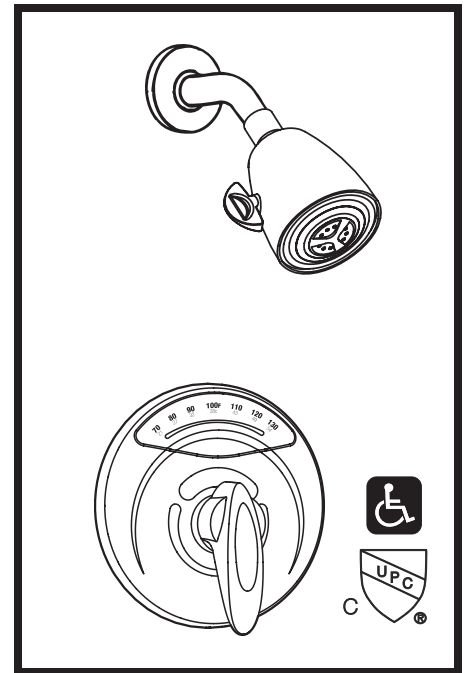


1-100VT Visu-Temp® Shower System

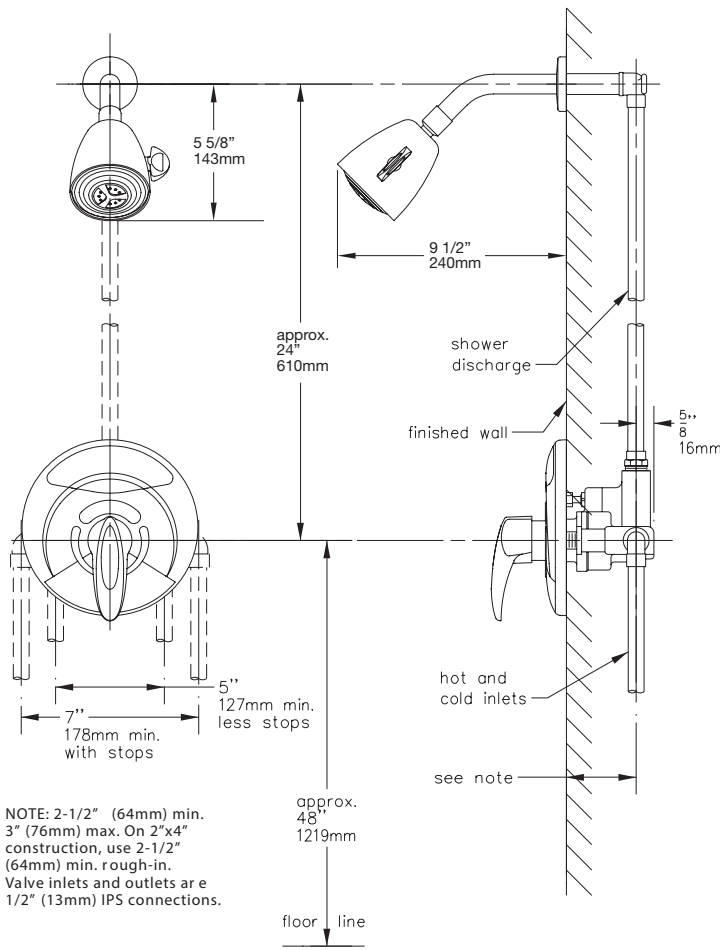
Visu-Temp Pressure-Balancing mixing valve with integral thermometer and adjustable stop screw to limit handle turn. Single mode Super shower head with adjustable spray. Flow rate 2.5 GPM (9.5 L/min).

Modifications:

- Suffix E:** 2 mode showerhead with external volume control
- Suffix X:** Integral service stops—allows water shut-off at valve for service
- Suffix X-3/4:** 3/4" valve to increase flow approximately 20%
- Suffix A:** Anchor plate to simplify mounting of Fre-Flo, Senior, and Universal shower heads on ceramic tile
- Suffix -2.0:** 2.0 (7.6 L/min) Flow rate restrictor
- Suffix -1.5:** 1.5 (5.7 L/min) Flow rate restrictor
- Suffix STN:** Satin Nickel finish



**SYMMONS PRODUCTS MEET
ASME A112.18.1/ CSA B125.1
AND ALL KNOWN FLOW RATE
REQUIREMENTS.
Shower Heads and Hand Showers
2.5 GPM (9.5 L/min)**



Job/Location

.....

Engineer

.....

Contractor

.....

This drawing to be used for rough-in installation only. All floor to center dimensions optional. Concealed piping and fittings not furnished by manufacturer. For ADA compliance (Americans with Disabilities Act) consult ADAAG or your state regulations for proper product choice and mounting locations. For complete installation, adjustment and service information see installation instructions.

Symmons Industries, Inc. ■ 31 Brooks Drive ■ Braintree, MA 02184
 Phone: (800) 796-6667 ■ Fax: (800) 961-9621
 Website: symmons.com ■ Email: gethelp@symmons.com

